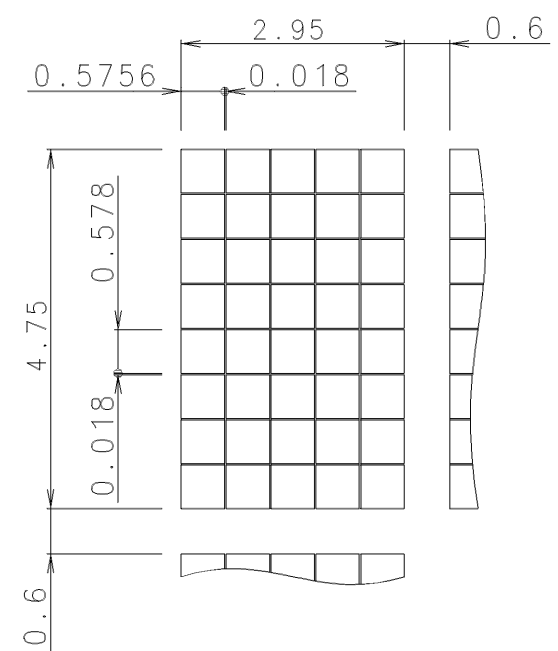
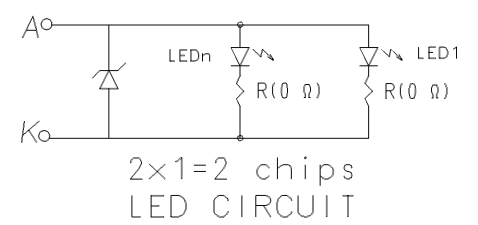
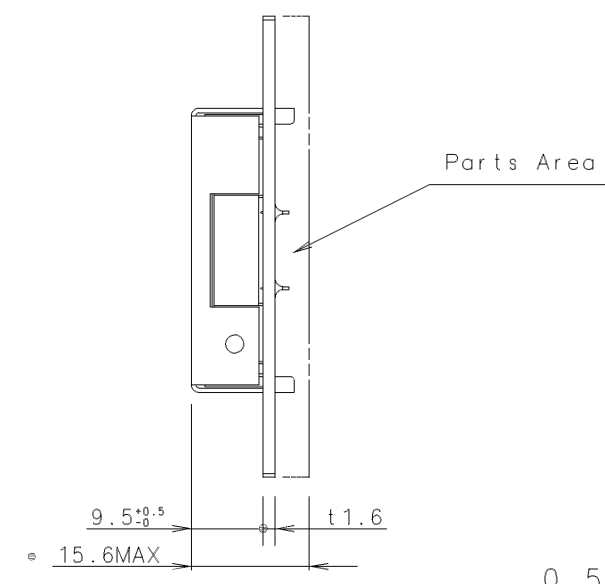
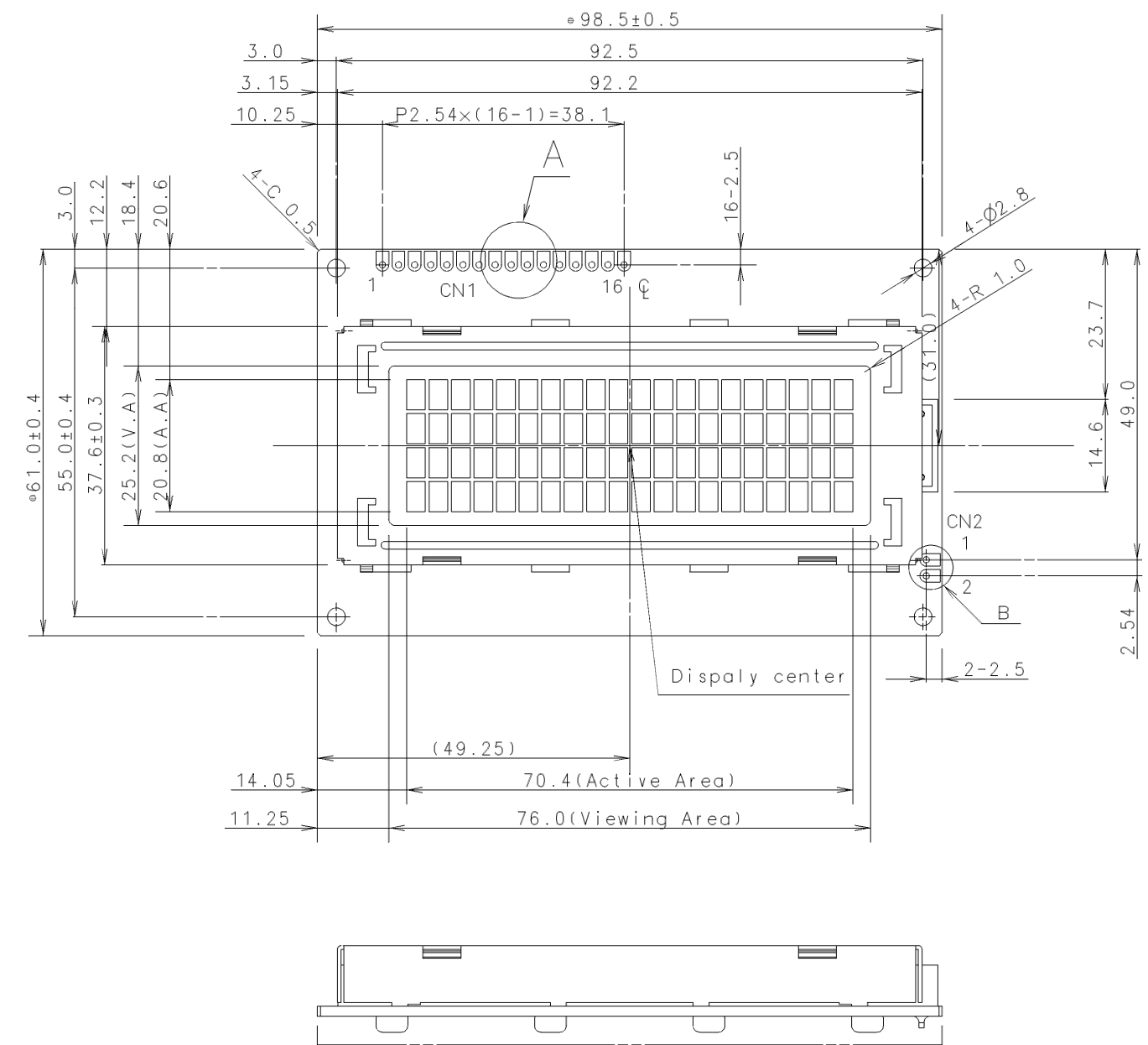
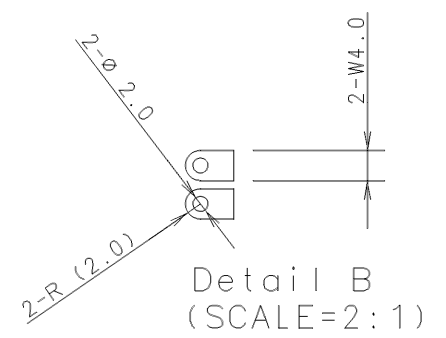
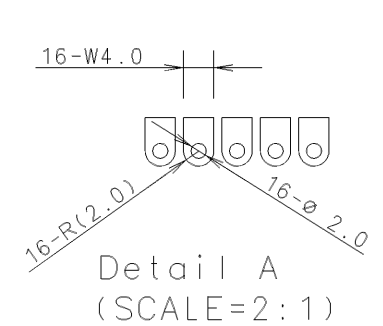


ISSUE	REVISIONS	DRAWN	APPROVED	DATE



No.	SYMBOL
1	VSS
2	VCC
3	VEE
4	RS
5	R/W
6	E
7	DB0
8	DB1
9	DB2
10	DB3
11	DB4
12	DB5
13	DB6
14	DB7
15	LED: ANODE
16	LED: CATHODE

1	LED: CATHODE
2	LED: ANODE



- Notes:
- Do not use materials which are prohibited by ROHS.
  - The dimensions with the mark ( $\phi$ ) are controled as a particular characteristic.

DOTS DETAIL SCALE: 10/1

MEASURE	TOLERANCE			THIRD ANGLE PROJECTION	DATE Feb.25'05	OPTREX CORPORATION
	A	B	C			
L $\leq$ 16	$\pm 0.1$	$\pm 0.3$	$\pm 1$	UNIT mm	APPROVED M.Motohashi	TITLE DIMENSIONAL OUTLINE
16<L $\leq$ 63	$\pm 0.2$	$\pm 0.5$	$\pm 1.5$			
63<L $\leq$ 250	$\pm 0.3$	$\pm 0.8$	$\pm 2$	SCALE 1:1	CHECKED T.Suzuki	CODE C-51847AD base
250<L $\leq$ 500	$\pm 0.5$	$\pm 1.2$	$\pm 3$			
500<L	$\pm 0.8$	$\pm 2$	$\pm 4$	DRAWN X.Hawk	DWC NO UE-312343	
ANGLE	$\pm 1^\circ$	$\pm 5^\circ$	$\pm 10^\circ$			